

Check valve Europa 1100

- Female thread 3/8" - 4"
- Spring and plate in stainless steel
- Installed in several positions



Description

Check valve.

Construction

Soft closing check valve, connection female thread 3/8" - 4".
Plate in stainless steel, non-controllable. Gasket in NBR. Key grip.

Marking

DN and flow direction arrow.

Maintenance

Check valves are usually maintenance-free but should be inspected periodically.

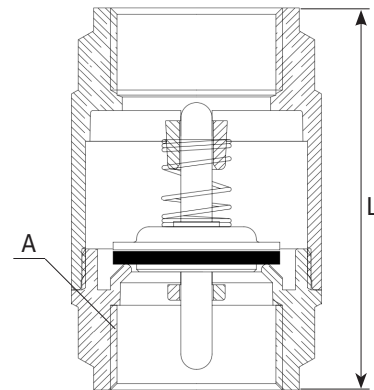
Installation

Can be installed in any position: vertical, horizontal, oblique.

Technical data

Body Brass CW617N
Gasket NBR

Opening pressure: see chart
Maximum working pressure: see chart
Maximum working temperature: +100°C
Minimum working temperature: -20°C



Item number	Description	Connection thread A	Length L	Max pressure (bar)	Opening pressure (bar)	Kv (m³/h)	Weight (kg per piece)
0511000100	Check valve Europa 1100-10, 3/8"F	3/8"F	55,0	25	0,30	2,99	0,16
0511000150	Check valve Europa 1100-15, 1/2"F	1/2"F	58,5	25	0,30	4,12	0,18
0511000200	Check valve Europa 1100-20, 3/4"F	3/4"F	65,0	25	0,39	7,03	0,27
0511000250	Check valve Europa 1100-25, 1"F	1"F	74,5	25	0,45	11,45	0,40
0511000320	Check valve Europa 1100-32, 1 1/4"F	1 1/4"F	83,0	18	0,50	16,54	0,62
0511000400	Check valve Europa 1100-40, 1 1/2"F	1 1/2"F	93,0	18	0,80	24,12	0,85
0511000500	Check valve Europa 1100-50, 2"F	2"F	101,0	18	0,95	39,32	1,32
0511000650	Check valve Europa 1100-65, 2 1/2"F	2 1/2"F	122,0	12	1,25	70,64	2,75
0511000800	Check valve Europa 1100-80, 3"F	3"F	141,5	12	1,40	105,60	4,25
0511001000	Check valve Europa 1100-100, 4"F	4"F	158,5	12	1,65	155,30	6,50

All dimensions in millimetres

Subject to technical changes and corrections without notice